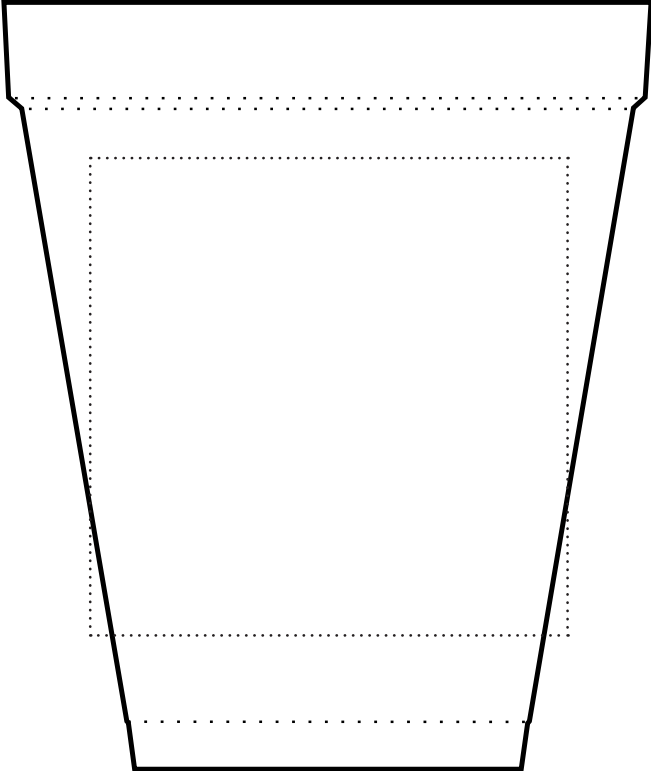


# Product Template



INK/PMS #					
-----------	--	--	--	--	--

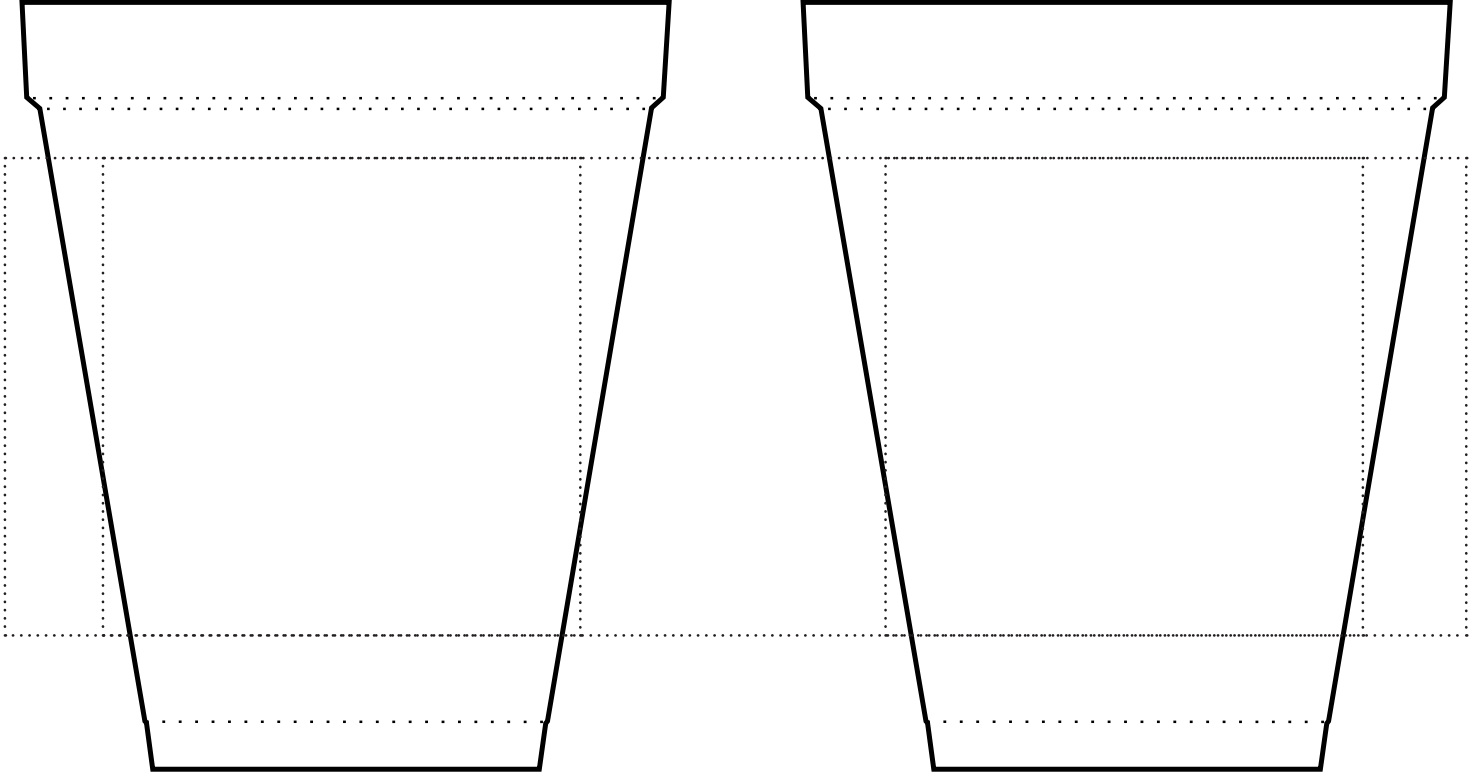
### ACTUAL SIZE

Dotted line Indicates  
max imprint area, factory  
recommend staying 20%  
under this area.

Dotted line is for guidance  
only and **will not print**.

**S10**  
**10oz Foam Cup**  
*(1 Sided)*

# Product Template



INK/PMS #					
-----------	--	--	--	--	--

### ACTUAL SIZE

Dotted line Indicates max imprint area, factory recommend staying 20% under this area.

Dotted line is for guidance only and **will not print**.

**S10**  
**10oz Foam Cup**  
*(Wrap/2 Sided)*